

SpinKit

For sectional doors up to 8.8m² and up-and-over garage doors up to 9.8m², belt drive.

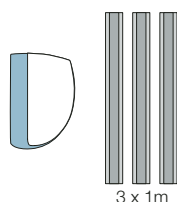
Pre-assembled, 3x1m pieces guide (SPIN10KCE) or pre-assembled 3m guide (SPIN11KCE).

Gear motor characteristics:

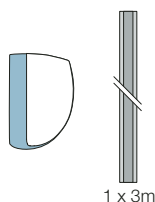
- **Advanced:** incorporated radio card, compatible with the Nice Flo, FloR and Smilo systems: 150 transmitters can be entered! Input for photocells and possibility of connecting photo-test with self-learning function during installation

- **Safe:** obstacle detection system and automatic programming of the working times, motor absorption is monitored during movement, self-diagnosis by means of a flashing light and courtesy light. Acceleration and deceleration can be adjusted at the beginning and end of each opening and closing manoeuvre. Can be connected with last generation sensitive edges 8.2kohm

The kits contain:



3 x 1m



1 x 3m

SPIN10KCE

1 gear motor SN6011 with incorporated control unit and receiver, 35mm thickness guide in 3x1m pieces.

SPIN11KCE

1 gear motor SN6011 with incorporated control unit and receiver, 35mm thickness guide in 1x3m pieces.

FL02R-S

1 transmitter
433.92MHz,
2 channels

FL02R-S

1 transmitter
433.92MHz,
2 channels



N.B. The content of the package may vary: consult the retailer.

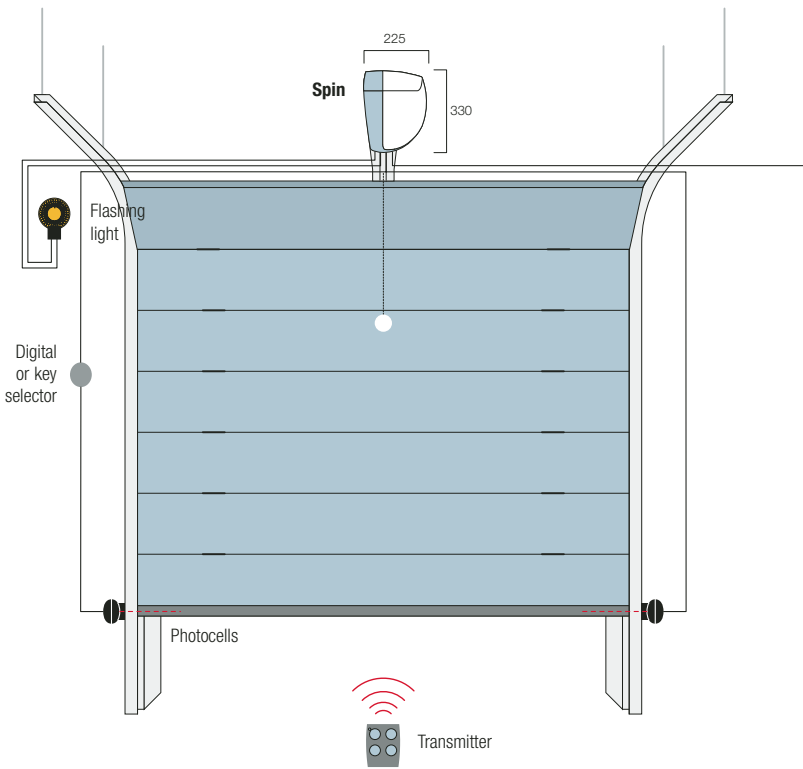
Code	Description
SPIN10KCE	Kit for the automation of sectional doors and up-and-over garage doors. 3x1m pieces guide
SPIN11KCE	Kit for the automation of sectional doors and up-and-over garage doors. Pre-assembled 3m guide

Technical specifications		SN6011
Power	(Vac 50/60Hz)	230
Peak power	(W)	200
Protection level	(IP)	40
Speed	(m/s)	0.08 ÷ 0.14
Max. up-and-over door surface	(m ²)	9.8
Max. sectional door surface	(m ²)	8.8
Travel	(mm)	2600
Max thrust	(N)	550
Traction	(N)	550
Working temp.	(°C Min/Max)	-20 ÷ +50
Work cycle	(cycles/day)	30
Dimensions	(mm)	225x330x100
SpinKit weight	(kg)	13
Thick guide	(mm)	35

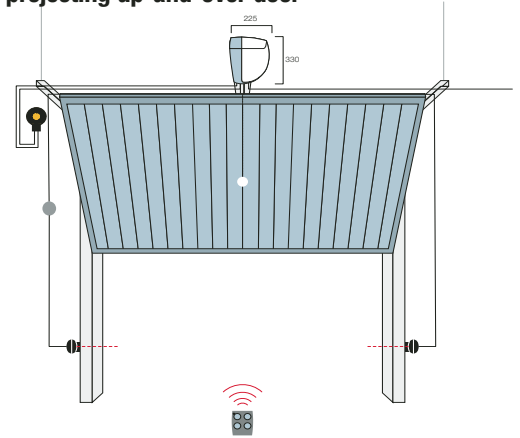
Operating limits (using the maximum travel)

	non-projecting up-and-over door		projecting up-and-over door		sectional	
	height	width	height	width	height	width
SPIN10KCE	2.2m	3.5m	2.8m	3.5m	2.4m	3.7m
SPIN11KCE	2.2m	3.5m	2.8m	3.5m	2.4m	3.7m

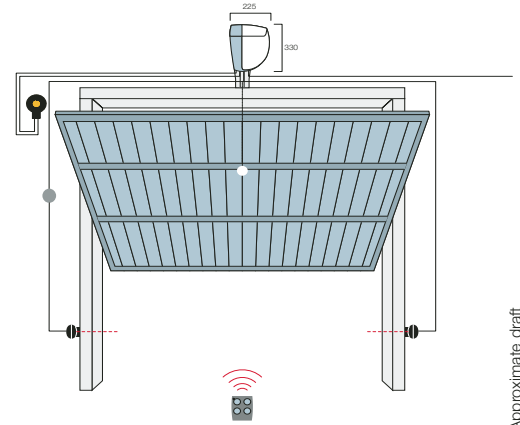
Sectional



Non-projecting up-and-over door

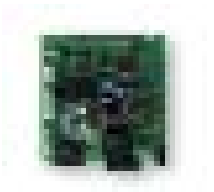


Projecting up-and-over door



Approximate draft

Accessories



SNA1
spare control unit
for SPIN10KCE and SPIN11KCE



SPA2
kit for unlocking from
the outside with cable

Pc/pack 1



SPA5
oscillating arm sliding
on bearings with optimised
structure for projecting
up-and-over doors

Pc/pack 1



SPA6
large 585mm long
connecting arm

Pc/pack 1



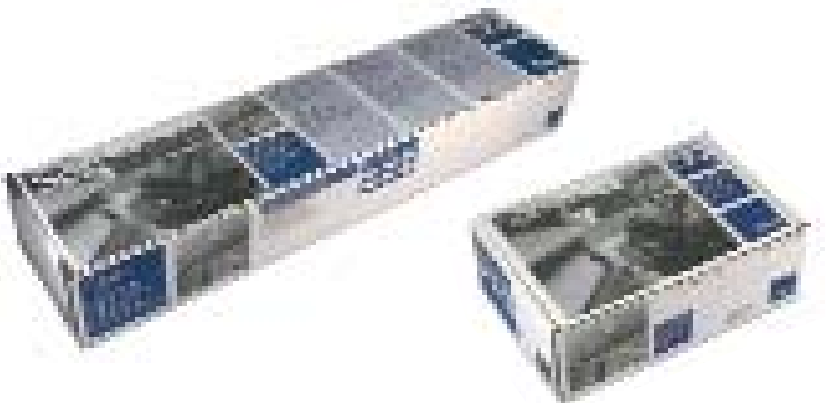
SPA7
kit of additional fixing brackets

Pc/pack 2



TS
signboard

Pc/pack 1



Nice recommends customers order products in pallets in order to facilitate storage and delivery, and ensure packs are uniform. The number of packs per single pallet has been specified for this reason.